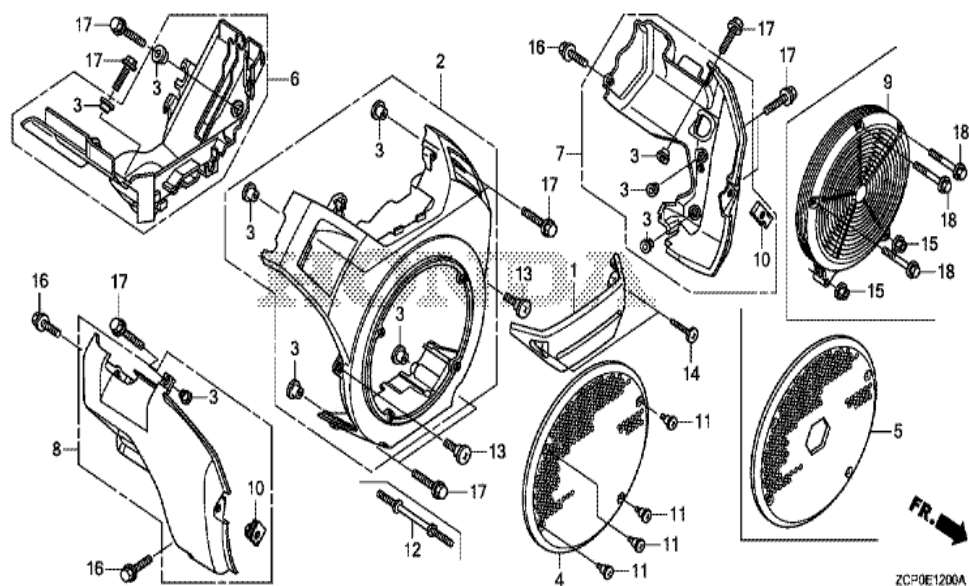


GX630RH(VXP2/A)

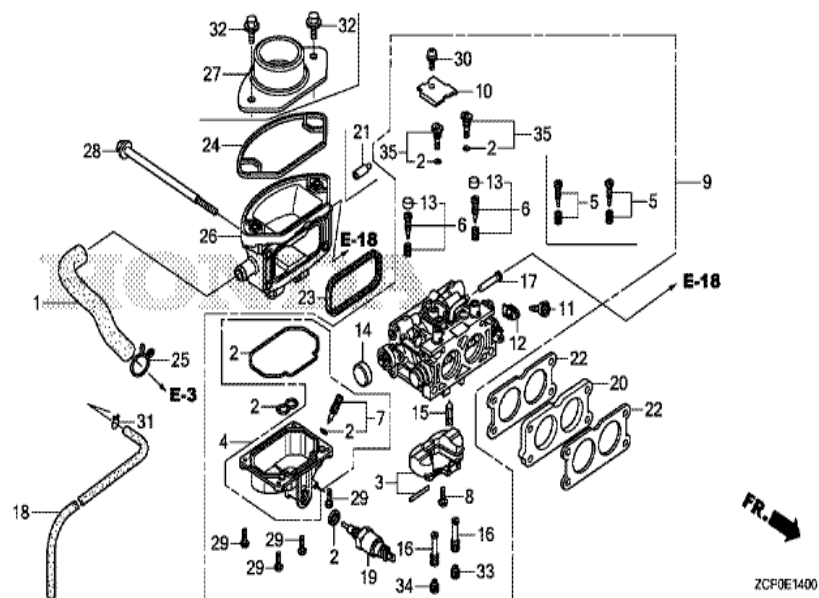
E-12 FAN COVER



<u>Ref</u>	<u>Partnumber</u>	<u>Description</u>	<u>GX630RH</u>	<u>Serial Numbers</u>
001	16715-Z6L-000	COVER, FUEL PUMP	1	
002	19610-Z6L-010ZA	COVER COMP., FAN *R280*	1	
002	19610-Z6L-010ZB	COVER COMP., FAN *NH1*	1	
003	19619-Z0A-300	COLLAR, FAN COVER	10	
004	19621-Z6L-000	PROTECTOR, FAN COVER	1	
006	19631-Z6L-000	SHROUD, UPPER	1	
007	19641-Z6L-000	SHROUD, R. LOWER	1	
008	19642-Z6L-000	SHROUD, L. LOWER	1	
010	84601-HA7-670	NUT, FENDER SETTING	2	
011	90005-ZCK-000	SCREW, SPECIAL, 4X10	4	
013	90380-GM9-740	SCREW, SPECIAL, 6X15	2	
014	93913-25580	SCREW, TAPPING, 5X20	2	
016	95701-0601600	BOLT, FLANGE, 6X16	3	
<u>Ref</u>	<u>Partnumber</u>	<u>Description</u>	<u>GX630RH</u>	<u>Serial Numbers</u>
017	95701-0602000	BOLT, FLANGE, 6X20	10	

GX630RH(VXP2/A)

E-14 CARBURETOR

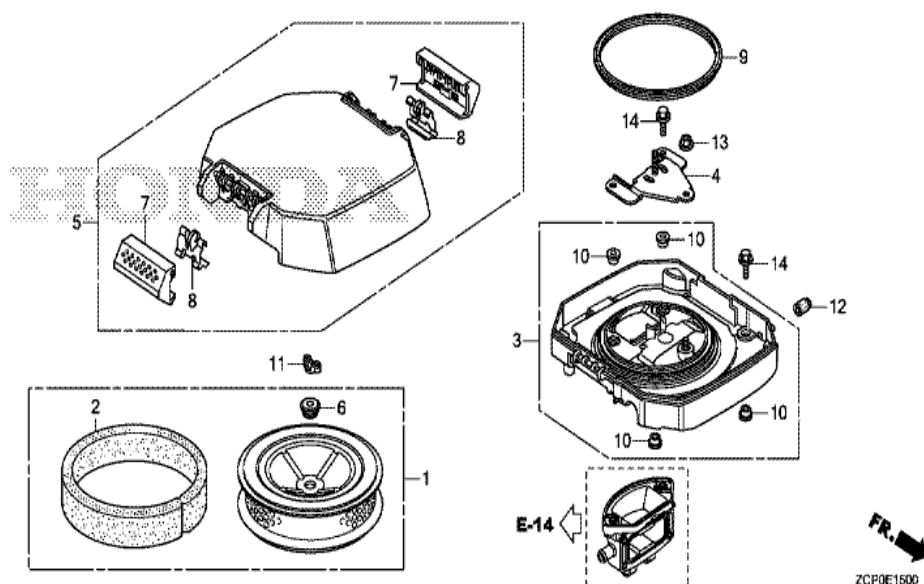


<u>Ref</u>	<u>Partnumber</u>	<u>Description</u>	<u>GX630RH</u>	<u>Serial Numbers</u>
001	15721-Z6L-000	TUBE, BREATHER	1	
002	16010-Z6L-003	GASKET SET	1	
003	16013-Z6L-003	FLOAT SET	1	
004	16015-Z6L-003	CHAMBER SET, FLOAT	1	
006	16016-ZCP-WA1	SCREW SET	2	
007	16024-124-760	SCREW SET, DRAIN	1	
008	16081-Z6L-003	SCREW, FLOAT	1	
009	16100-ZCP-WA1	CARBURETOR ASSY. (BK07S A)	1	
010	16113-Z6L-003	PLATE	1	
011	16124-ZE0-005	SCREW, THROTTLE STOP	1	
012	16126-Z6L-003	ARM, THROTTLE LINKAGE	1	
013	16134-Z6L-801	CAP, ADJUSTING SCREW	2	
014	16148-141-881	CAP, CHOKE DUST	1	
<u>Ref</u>	<u>Partnumber</u>	<u>Description</u>	<u>GX630RH</u>	<u>Serial Numbers</u>
015	16155-Z6L-003	VALVE COMP., FLOAT	1	
016	16166-ZCP-WA1	NOZZLE, MAIN	2	
017	16176-Z2G-D51	SCREEN, FUEL STRAINER	1	
018	16198-ZCN-000	TUBE, DRAIN	1	2030701
019	16200-Z6L-003	VALVE ASSY., SOLENOID	1	

020	16211-Z6L-000	INSULATOR, CARBURETOR	1
022	16221-Z6L-000	PACKING, CARBURETOR	2
023	17228-Z6L-000	PACKING, AIR CLEANER	1
024	17229-Z6L-000	SEAL, AIR CLEANER CASE	1
025	17369-KB4-670	CLIP, BREATHER TUBE	1
026	17410-Z6L-000	ELBOW COMP., AIR CLEANER	1
028	90003-Z6L-010	BOLT, FLANGE, 6X106	4
029	93500-040121H	SCREW, PAN, 4X12	4
030	93892-0501018	SCREW-WASHER, 5X10	1
031	95002-02080	CLIP, TUBE (B8)	1
033	99101-ZH81050	JET, MAIN, #105	(1)
034	99101-ZH81000	JET, MAIN, #100	(1)
034	99101-ZH81050	JET, MAIN, #105	(1)
034	99101-ZH81100	JET, MAIN, #110	1
035	99204-ZE20400	JET SET, PILOT, #40	2

GX630RH(VXP2/A)

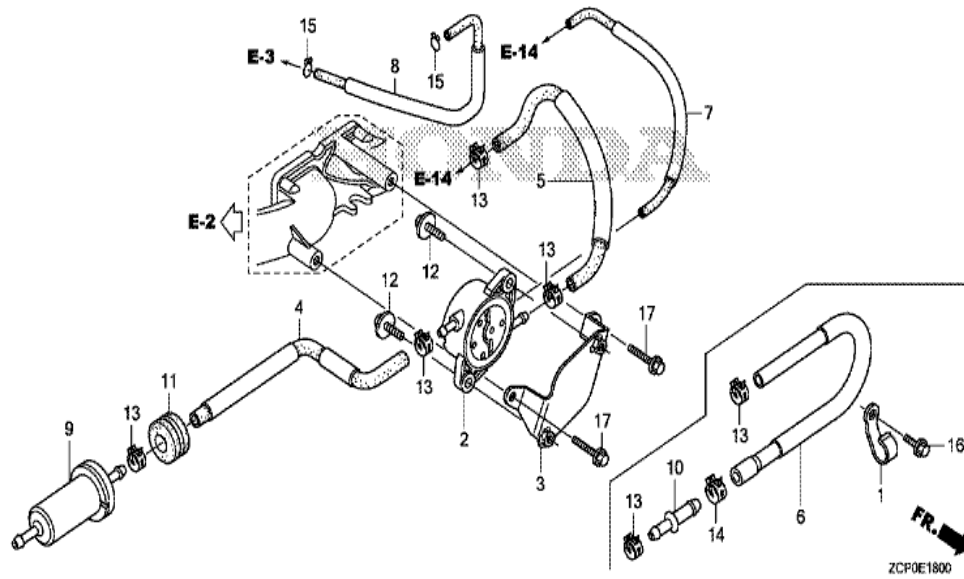
E-15 AIR CLEANER



<u>Ref</u>	<u>Partnumber</u>	<u>Description</u>	<u>GX630RH</u>	<u>Serial Numbers</u>
001	17210-Z6L-010	ELEMENT COMP., AIR CLEANER	1	
002	17218-Z6L-000	FILTER, OUTER	1	
003	17220-Z6L-000	CASE COMP., AIR CLEANER	1	
004	17223-Z6L-000	STAY COMP., AIR CLEANER ELEMENT	1	
005	17230-Z6L-010	COVER COMP., AIR CLEANER	1	
006	17232-Z2E-000	GROMMET, AIR CLEANER	1	
007	17235-Z6L-310	KNOB, AIR CLEANER COVER	2	
008	17236-Z6L-300	SPRING, AIR CLEANER CASE COVER	2	
009	17417-Z6L-000	PACKING, AIR CLEANER CASE	1	
010	19619-Z0A-300	COLLAR, FAN COVER	4	
011	90325-044-000	NUT, TOOL BOX SETTING	1	
012	90802-Z6L-000	CAP, SEALING	1	
013	94050-06000	NUT, FLANGE, 6MM	1	
<u>Ref</u>	<u>Partnumber</u>	<u>Description</u>	<u>GX630RH</u>	<u>Serial Numbers</u>
014	95701-0601800	BOLT, FLANGE, 6X18	4	

GX630RH(VXP2/A)

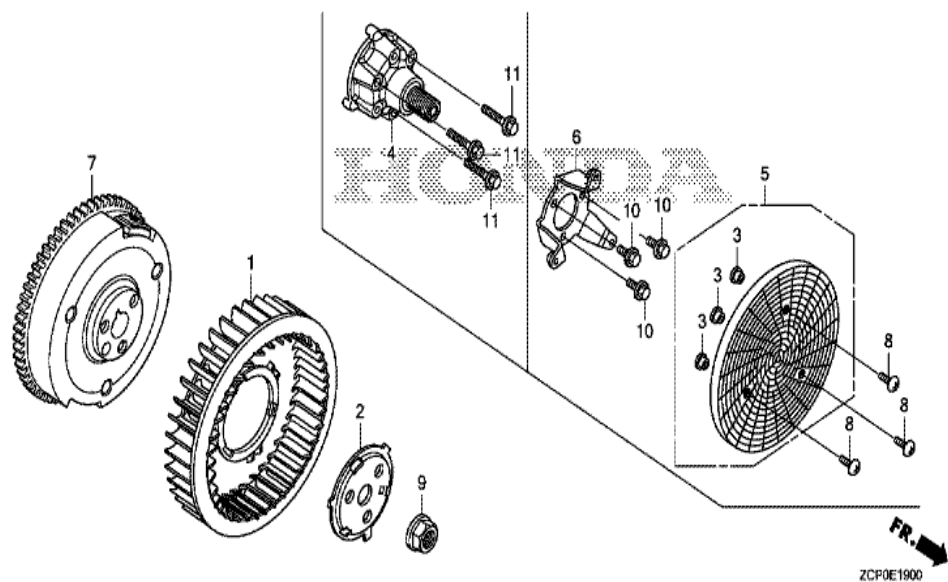
E-18 FUEL PUMP



<u>Ref</u>	<u>Partnumber</u>	<u>Description</u>	<u>GX630RH</u>	<u>Serial Numbers</u>
002	16700-Z6L-003	PUMP ASSY., FUEL	1	
003	16711-Z6L-000	STAY, FUEL PUMP	1	
004	16850-Z6L-030	TUBE COMP. A, FUEL (FKM)	1	2024084
005	16860-Z6L-010	TUBE COMP. B, FUEL (FKM)	1	2024084
007	16870-Z6L-000	TUBE, PURGE	1	
008	16882-Z6L-000	TUBE, DIAPHRAGM	1	
009	16910-Z6L-003	STRAINER COMP., FUEL	1	
011	80152-958-680	RUBBER, RR. FENDER	1	
012	93894-0601600	SCREW-WASHER, 6X16	2	
013	95002-4100008	CLAMP, TUBE (D10)	4	
015	95002-70000	CLIP, TUBE (C11)	2	
017	95701-0601400	BOLT, FLANGE, 6X14	2	

GX630RH(VXP2/A)

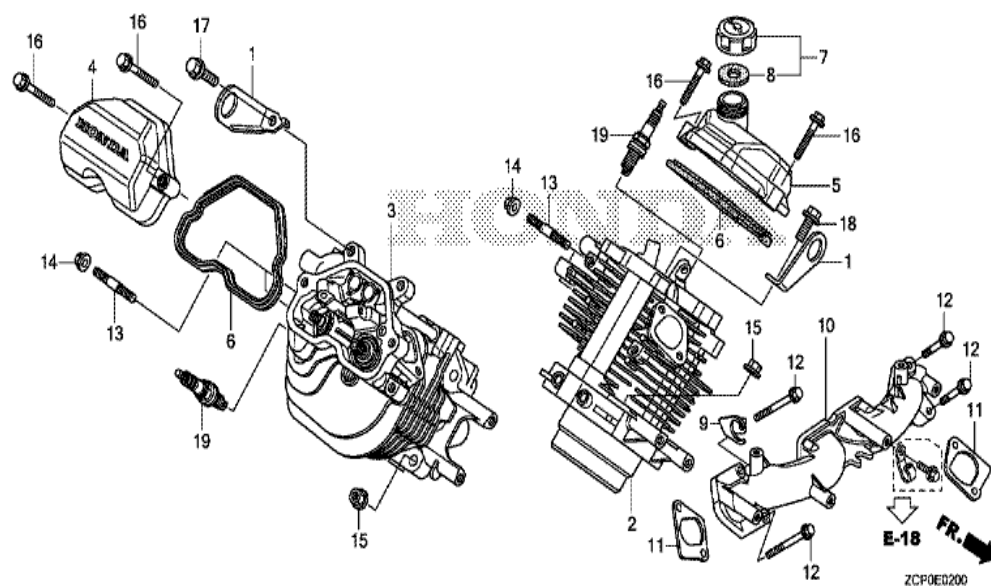
E-19 FLYWHEEL



<u>Ref</u>	<u>Partnumber</u>	<u>Description</u>	<u>GX630RH</u>	<u>Serial Numbers</u>
001	19511-Z6L-000	FAN, COOLING	1	
002	19513-Z6L-000	PLATE, COOLING FAN SETTING	1	
007	31110-Z6L-003	FLYWHEEL COMP.	1	
009	90201-Z6L-010	NUT, SPECIAL (20MM)	1	

GX630RH(VXP2/A)

E-2 CYLINDER HEAD



<u>Ref</u>	<u>Partnumber</u>	<u>Description</u>	<u>GX630RH</u>	<u>Serial Numbers</u>
001	11911-Z6L-000	HANGER, ENGINE	2	
002	12110-ZEA-000	HEAD COMP., CYLINDER (#1)	1	2030701
003	12120-ZEA-000	HEAD COMP., CYLINDER (#2)	1	2030701
004	12311-Z6L-000	COVER, CYLINDER HEAD	1	
005	12311-Z6L-800	COVER, CYLINDER HEAD	1	
006	12312-Z6L-000	PACKING, HEAD COVER	2	
007	15600-Z6L-000	CAP ASSY., OIL FILLER	1	
008	15625-Z6L-000	PACKING, OIL FILLER CAP	1	
009	16722-Z6L-010	STAY, FUEL TUBE GROMMET	1	
010	17101-ZCN-000	MANIFOLD, IN.	1	
011	17151-Z6L-010	PACKING, INTAKE MANIFOLD	2	
012	90006-Z6L-000	BOLT, FLANGE, 8X55	4	
013	92900-080220E	BOLT, STUD, 8X22	4	
<u>Ref</u>	<u>Partnumber</u>	<u>Description</u>	<u>GX630RH</u>	<u>Serial Numbers</u>
014	94050-08000	NUT, FLANGE, 8MM	4	
015	94050-10000	NUT, FLANGE, 10MM	8	
016	95701-0603000	BOLT, FLANGE, 6X30	4	
017	95701-0801600	BOLT, FLANGE, 8X16	1	
018	95701-0801600	BOLT, FLANGE, 8X16	1	

019 98079-5587G

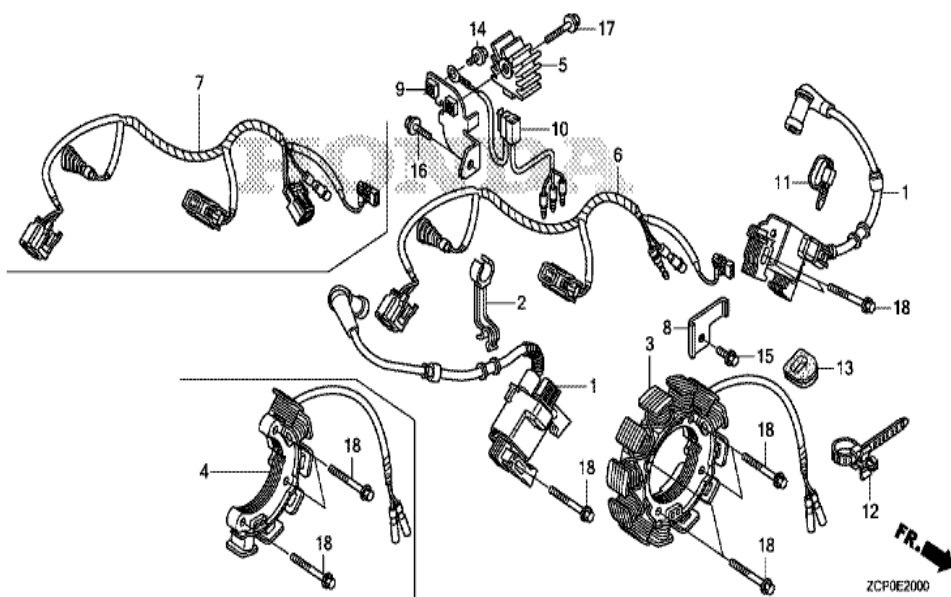
PLUG, SPARK (ZFR5F)

2



GX630RH(VXP2/A)

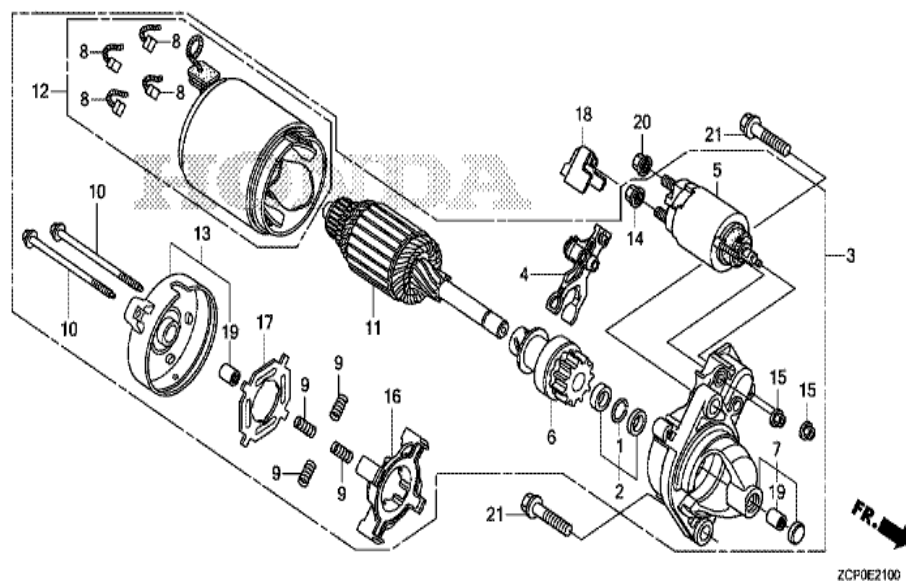
E-20 IGNITION COIL



<u>Ref</u>	<u>Partnumber</u>	<u>Description</u>	<u>GX630RH</u>	<u>Serial Numbers</u>
001	30500-ZCN-003	COIL ASSY., IGNITION	2	
002	30551-Z6L-000	CLAMP, HIGH TENSION CORD	1	
004	31630-Z6L-801	COIL ASSY., CHARGE (2.7A)	1	
006	32110-Z6L-800	HARNESS ASSY., ENGINE WIRE	1	
008	32114-Z6L-000	BRACKET, HARNESS	1	
011	90650-KV6-003	BAND, WIRE, 95MM	1	
012	90672-SB2-003	STRAP, CABLE, 105MM (BLACK)	1	
013	91601-Z6L-000	GROMMET, CORD	1	
015	95701-0601200	BOLT, FLANGE, 6X12	1	
018	95701-0603200	BOLT, FLANGE, 6X32	7	

GX630RH(VXP2/A)

E-21 STARTER MOTOR



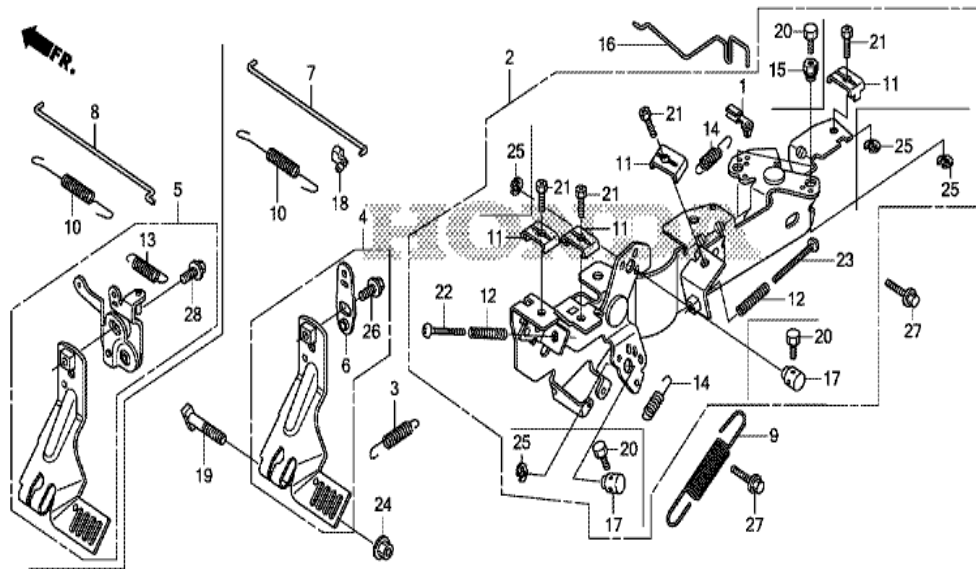
ZCP0E2100

<u>Ref</u>	<u>Partnumber</u>	<u>Description</u>	<u>GX630RH</u>	<u>Serial Numbers</u>
001	30201-PH9-004	RING, SNAP (DENSO)	1	
002	30202-PZ1-003	COLLAR SET, CLUTCH STOP	1	
003	31200-Z6L-003	MOTOR ASSY., STARTER	1	
004	31203-PH9-004	LEVER, PINION DRIVE	1	
005	31204-ZJ1-H02	SWITCH ASSY., MAGNET	1	
006	31207-ZE9-H01	CLUTCH COMP., OVERRUNNING	1	
007	31208-Z6L-003	HOUSING COMP., DRIVE SIDE	1	
008	31211-PH9-004	BRUSH	4	
009	31212-PH9-004	SPRING, BRUSH	4	
010	31214-PH9-004	BOLT, THROUGH	2	
011	31217-Z0A-003	ARMATURE COMP.	1	
012	31218-P64-N01	YOKE COMP.	1	
013	31219-Z6L-003	FRAME COMP., COMMUTATOR END	1	
<u>Ref</u>	<u>Partnumber</u>	<u>Description</u>	<u>GX630RH</u>	<u>Serial Numbers</u>
014	31220-PH9-004	NUT, HEX., 8MM	1	
015	31223-PA0-006	NUT, HEX. (6MM)	2	
016	31231-PH9-004	HOLDER, BRUSH	1	
017	31233-PH9-004	INSULATOR, BRUSH HOLDER	1	
018	31234-Z6L-000	COVER, TERMINAL	1	

019	91002-ZG4-801	BEARING A	2
020	94070-08080	NUT-WASHER, 8MM	1
021	95701-1004000	BOLT, FLANGE, 10X40	2

GX630RH(VXP2/A)

E-22 CONTROL



ZCP0E2200

<u>Ref</u>	<u>Partnumber</u>	<u>Description</u>	<u>GX630RH</u>	<u>Serial Numbers</u>
001	16263-Z0G-010	JOINT, ROD	1	
002	16500-Z6L-802	CONTROL ASSY.	1	
003	16534-Z6L-000	SPRING, STARTER	1	
004	16550-Z6L-020	ARM COMP., GOVERNOR	1	
006	16553-Z6L-010	ARM, SUB	1	
007	16555-Z6L-010	ROD, GOVERNOR	1	
009	16561-Z6L-000	SPRING, GOVERNOR	1	
010	16562-Z6L-010	SPRING, THROTTLE RETURN	1	
011	16576-891-000	HOLDER, CABLE	2	
012	16584-883-300	SPRING, CONTROL ADJUSTING	1	
014	16592-ZJ1-000	SPRING, CABLE RETURN	2	
016	16611-Z6L-010	ROD, CHOKE CONTROL	1	
018	17957-Z6L-003	BUSH, LINKAGE	1	
<u>Ref</u>	<u>Partnumber</u>	<u>Description</u>	<u>GX630RH</u>	<u>Serial Numbers</u>
019	90015-ZE3-790	BOLT, GOVERNOR ARM	1	
021	92301-050160A	BOLT, RECESSED, 5X16	2	
022	93500-050400A	SCREW, PAN, 5X40	1	
024	94050-06000	NUT, FLANGE, 6MM	1	
026	95701-0601000	BOLT, FLANGE, 6X10	1	

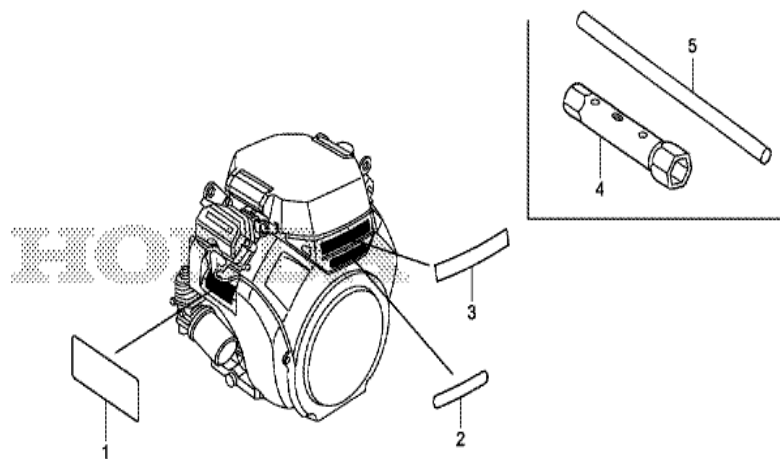
027 95701-0601400

BOLT, FLANGE, 6X14

2

GX630RH(VXP2/A)

E-28 LABEL/TOOL

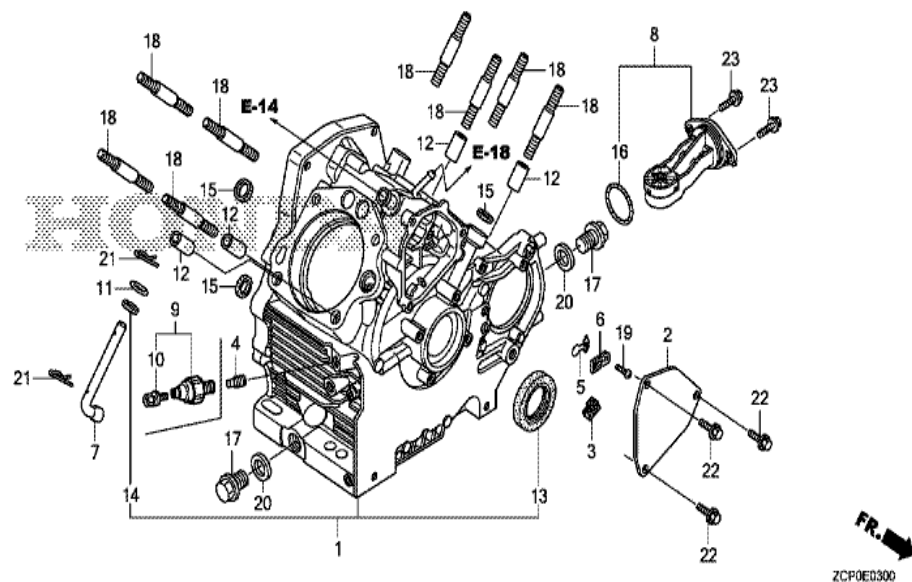


ZCF0E2800A

<u>Ref</u>	<u>Partnumber</u>	<u>Description</u>	<u>GX630RH</u>	<u>Serial Numbers</u>
001	87519-ZCP-000	MARK, OPERATOR CAUTION (PICTOGRAPH)	1	
001	87519-ZCP-010	MARK, OPERATOR CAUTION (PICTOGRAPH)	1	
002	87521-Z6N-000	EMBLEM (GX630)	1	
003	87531-Z6L-000	MARK, HONDA	1	

GX630RH(VXP2/A)

E-3 CRANKCASE



ZCP0E0300

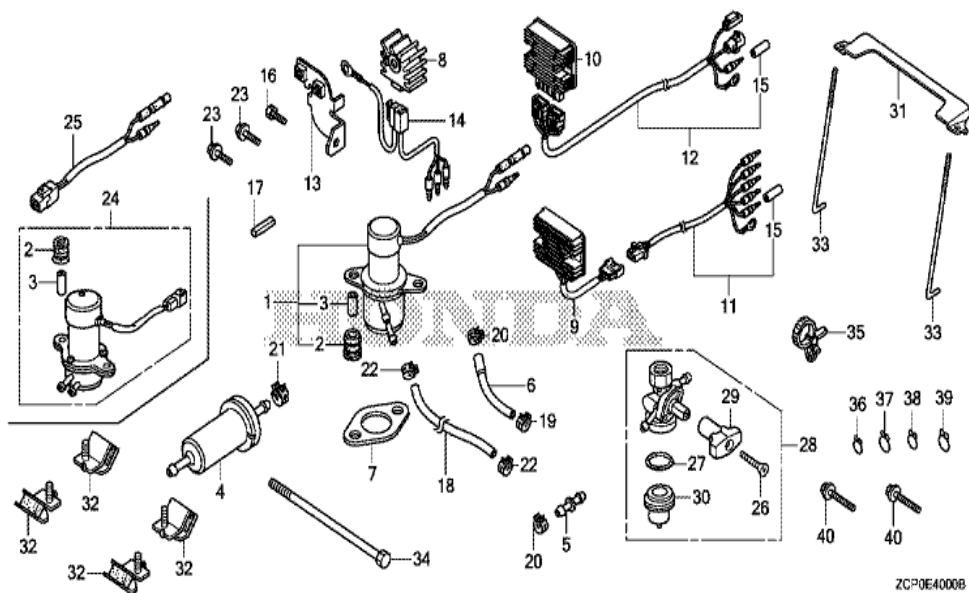
<u>Ref</u>	<u>Partnumber</u>	<u>Description</u>	<u>GX630RH</u>	<u>Serial Numbers</u>
001	11100-Z6L-801	CRANKCASE ASSY.	1	
002	12356-Z6L-000	COVER, BREATHER	1	
003	12367-Z6L-000	FILTER, BREATHER	1	
004	15424-Z6L-000	BOLT, SEALING	1	
005	15571-ZM7-003	VALVE, OIL OUTLET	1	
006	15572-Z6L-000	PLATE, STOPPER	1	
007	16541-Z6L-010	SHAFT, GOVERNOR ARM	1	
008	35480-Z6L-003	SWITCH ASSY., OIL LEVEL	1	
011	90404-Z6L-000	WASHER, PLAIN (10MM)	1	
012	90709-Z6L-000	DOWEL PIN, 12X20	4	
013	91201-Z6L-003	OIL SEAL, 38X58X9	1	
014	91203-Z6L-003	OIL SEAL, 10X16X5	1	
015	91308-Z6L-003	PACKING, OIL PASS	3	
<u>Ref</u>	<u>Partnumber</u>	<u>Description</u>	<u>GX630RH</u>	<u>Serial Numbers</u>
016	91309-Z6L-000	O-RING, 37.9X2.4	1	
017	92800-20000	BOLT, DRAIN PLUG, 20MM	2	
018	92900-100400B	BOLT, STUD, 10X40	8	
019	93500-030080A	SCREW, PAN, 3X8	1	
020	94109-20000	WASHER, DRAIN PLUG, 20MM	2	

021	94251-10000	PIN, LOCK, 10MM	2
022	95701-0601400	BOLT, FLANGE, 6X14	3
023	95701-0601600	BOLT, FLANGE, 6X16	2



GX630RH(VXP2/A)

E-40 OTHER PARTS (FUEL PUMP) (REGULATOR RECTIFIER)

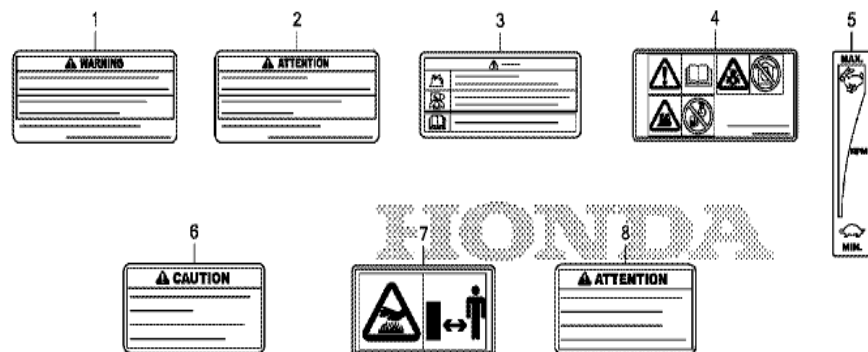


ZCP0E4000B

<u>Ref</u>	<u>Partnumber</u>	<u>Description</u>	<u>GX630RH</u>	<u>Serial Numbers</u>
007	18333-ZE3-801	GASKET, EX. PIPE	2	
008	31750-735-013	RECTIFIER COMP., REGULATOR (5A)	1	
014	32183-Z6L-000	HARNESS ASSY., REGULATOR RECTIFIER	1	

GX630RH(VXP2/A)

E-40-1 OTHER PARTS (LABEL)

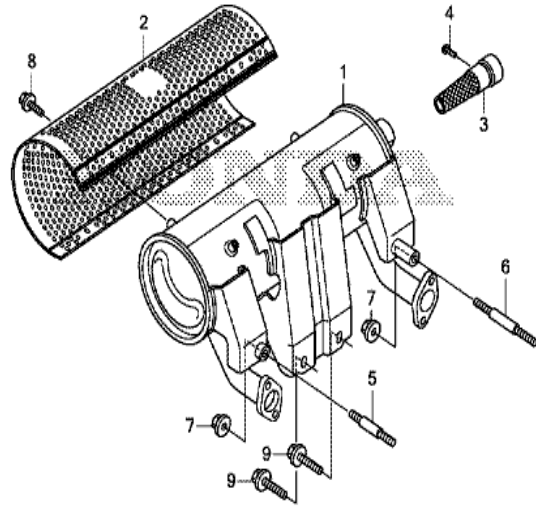


ZCP0E4001

<u>Ref</u>	<u>Partnumber</u>	<u>Description</u>	<u>GX630RH</u>	<u>Serial Numbers</u>
001	87516-ZCN-010	MARK, OPERATOR CAUTION (ENGLISH) (MADE I	1	
002	87516-ZCN-800	MARK, OPERATOR CAUTION (FRENCH)	1	
006	87539-Z0J-000	MARK, EX. CAUTION (ENGLISH)	(1)	
007	87539-Z0J-800	MARK, EX. CAUTION (PICTOGRAPH)	(1)	
008	87539-Z0J-810	MARK, EX. CAUTION (FRENCH)	(1)	

GX630RH(VXP2/A)

E-40-4 OTHER PARTS (MUFFLER) (HIGH-L)

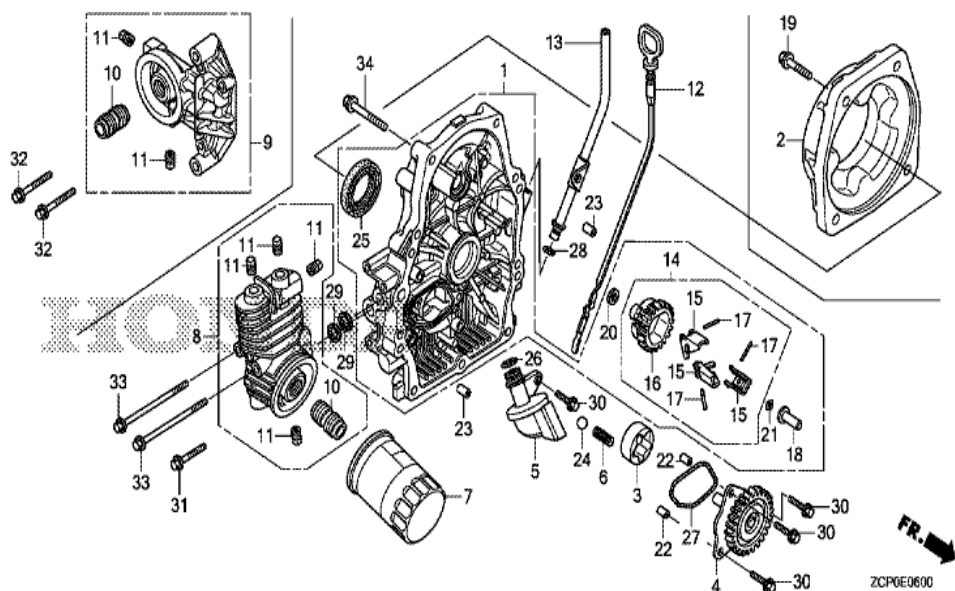


ZCP0E4004

<u>Ref</u>	<u>Partnumber</u>	<u>Description</u>	<u>GX630RH</u>	<u>Serial Numbers</u>
003	18355-ZCK-000	ARRESTER, SPARK	1	
004	90007-Z6L-000	SCREW, TAPPING, 5X8	1	

GX630RH(VXP2/A)

E-6 CRANKCASE COVER

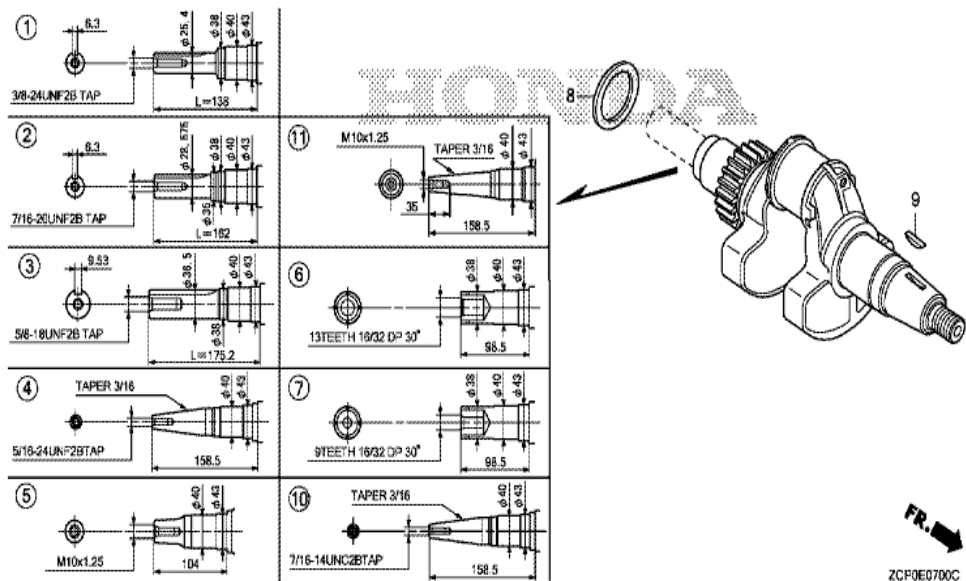


<u>Ref</u>	<u>Partnumber</u>	<u>Description</u>	<u>GX630RH</u>	<u>Serial Numbers</u>
001	11300-Z6L-010	COVER ASSY., CRANKCASE	1	
003	15133-Z6L-000	ROTOR, OIL PUMP OUTER	1	
004	15140-Z6L-010	GEAR COMP., OIL PUMP	1	
005	15220-Z6L-000	STRAINER COMP., OIL	1	
006	15232-Z6L-000	SPRING, RELIEF VALVE	1	
007	15400-RTA-003	CARTRIDGE, OIL FILTER (MAHLE TENNEX)	1	
008	15410-Z6L-000	BASE COMP., OIL FILTER	1	
010	15423-Z6L-000	HOLDER, OIL FILTER	1	
011	15424-Z6L-000	BOLT, SEALING	4	
012	15655-Z6L-000	GAUGE COMP., OIL LEVEL	1	
013	15665-Z6L-000	PIPE COMP., OIL LEVEL	1	
014	16510-Z6L-010	GOVERNOR ASSY.	1	
015	16511-Z6L-310	WEIGHT, GOVERNOR	3	
<u>Ref</u>	<u>Partnumber</u>	<u>Description</u>	<u>GX630RH</u>	<u>Serial Numbers</u>
016	16512-Z6L-310	HOLDER, GOVERNOR WEIGHT	1	
017	16513-Z6L-000	PIN, GOVERNOR WEIGHT	3	
018	16531-Z6L-000	SLIDER, GOVERNOR	1	
020	90403-Z6L-000	WASHER, 6X16	1	
021	90602-ZE1-000	CLIP, GOVERNOR HOLDER	1	

022	90707-Z6L-000	DOWEL PIN, 8X10	2
023	90708-Z6L-000	DOWEL PIN, 8X14	2
024	90902-Z6L-000	BALL, STEEL, #15 (15/32)	1
025	91202-Z6L-003	OIL SEAL, 38X58X9	1
026	91301-Z6L-003	O-RING, 14.8X2.4	1
027	91302-Z6L-003	O-RING, OIL PUMP	1
028	91308-PH9-000	O-RING, 8.8X1.9	1
029	91308-Z6L-003	PACKING, OIL PASS	2
030	95701-0602000	BOLT, FLANGE, 6X20	4
031	95701-0602800	BOLT, FLANGE, 6X28	1
033	95701-0609000	BOLT, FLANGE, 6X90	2
034	95701-0804500	BOLT, FLANGE, 8X45	9

GX630RH(VXP2/A)

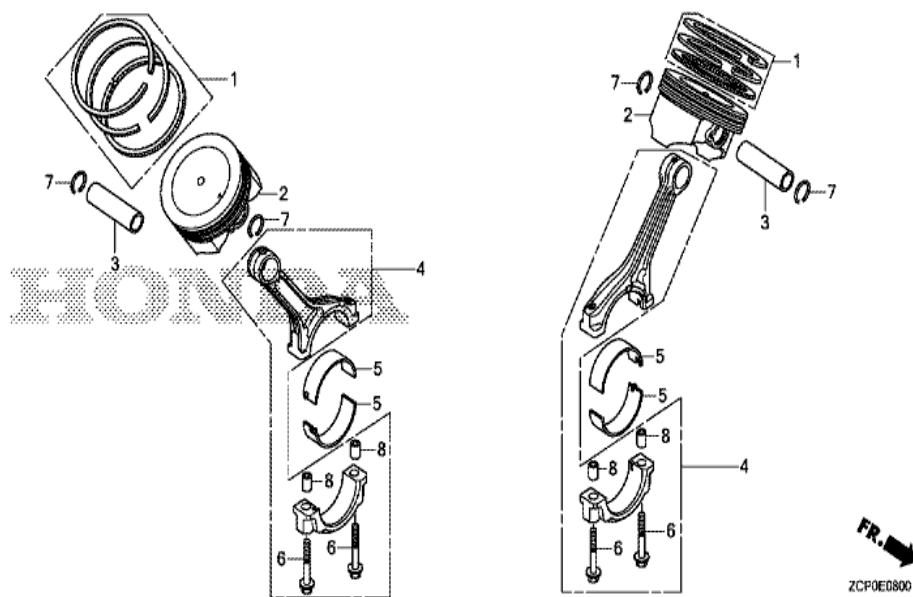
E-7 CRANKSHAFT



Ref	Partnumber	Description	GX630RH	Serial Numbers
004	13310-Z6L-620	CRANKSHAFT COMP. (L=158.5)	1	
008	90402-Z6L-000	WASHER, CRANKSHAFT THRUST	1	
009	90741-ZE2-000	KEY, SPECIAL WOODRUFF, 25X18	1	

GX630RH(VXP2/A)

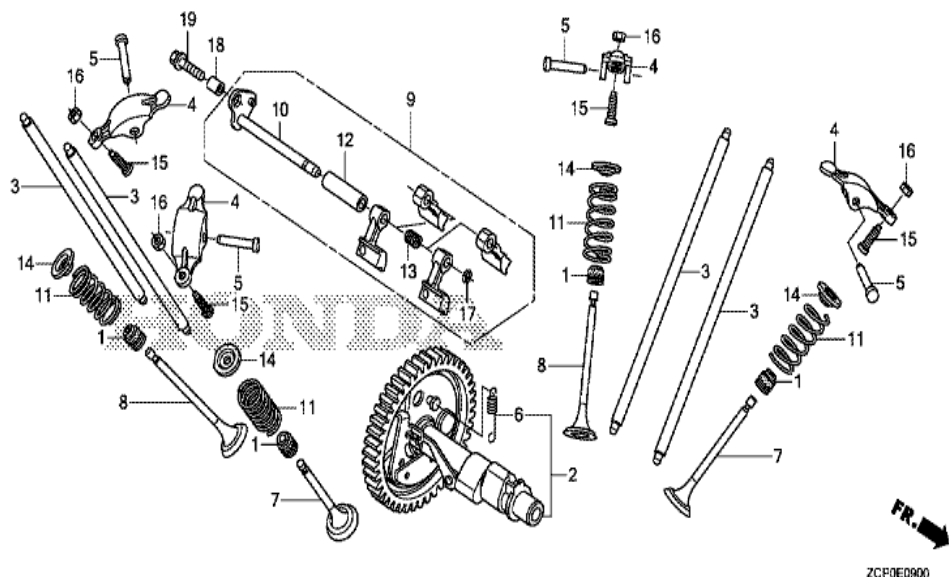
E-8 PISTON



<u>Ref</u>	<u>Partnumber</u>	<u>Description</u>	<u>GX630RH</u>	<u>Serial Numbers</u>
001	13010-Z6L-003	RING SET, PISTON (STD.) (TEIKOKU)	2	
002	13101-Z6L-020	PISTON	2	
003	13111-Z6L-000	PIN, PISTON	2	
004	13210-ZDW-000	ROD ASSY., CONNECTING	2	2030701
005	13211-Z6L-003	BEARING A, CONNECTING ROD	4	
006	90001-Z6L-000	BOLT, CONNECTING ROD, 7X38	4	
007	90551-ZE1-000	CLIP, PISTON PIN, 18MM	4	
008	90705-Z6L-000	DOWEL PIN, 9X10	4	

GX630RH(VXP2/A)

E-9 CAMSHAFT



ZCP0E0900

<u>Ref</u>	<u>Partnumber</u>	<u>Description</u>	<u>GX630RH</u>	<u>Serial Numbers</u>
001	12208-Z6L-003	SEAL, VALVE STEM	4	
002	14100-ZEA-000	CAMSHAFT ASSY.	1	2030701
003	14410-Z6L-000	ROD COMP., PUSH	4	
004	14431-ZDW-000	ARM, VALVE ROCKER	4	2030701
005	14461-Z6L-000	SHAFT, ROCKER ARM	4	
006	14568-Z6L-000	SPRING, WEIGHT RETURN	1	
007	14711-Z6L-000	VALVE, IN.	2	
008	14721-Z6L-000	VALVE, EX.	2	
009	14730-Z6L-000	LIFTER ASSY., VALVE	1	
010	14735-Z6L-000	SHAFT COMP., VALVE LIFTER	1	
011	14751-Z6L-000	SPRING, VALVE	4	
012	14763-Z6L-000	COLLAR, VALVE LIFTER	1	
013	14764-Z6L-000	SPRING, VALVE LIFTER	1	
<u>Ref</u>	<u>Partnumber</u>	<u>Description</u>	<u>GX630RH</u>	<u>Serial Numbers</u>
014	14771-ZE1-000	RETAINER, IN. VALVE SPRING	4	
015	90012-Z6L-000	SCREW, TAPPET ADJUSTING	4	
016	90206-Z6L-000	NUT, TAPPET ADJUSTING	4	
017	90602-ZE1-000	CLIP, GOVERNOR HOLDER	1	
018	90707-Z6L-000	DOWEL PIN, 8X10	1	



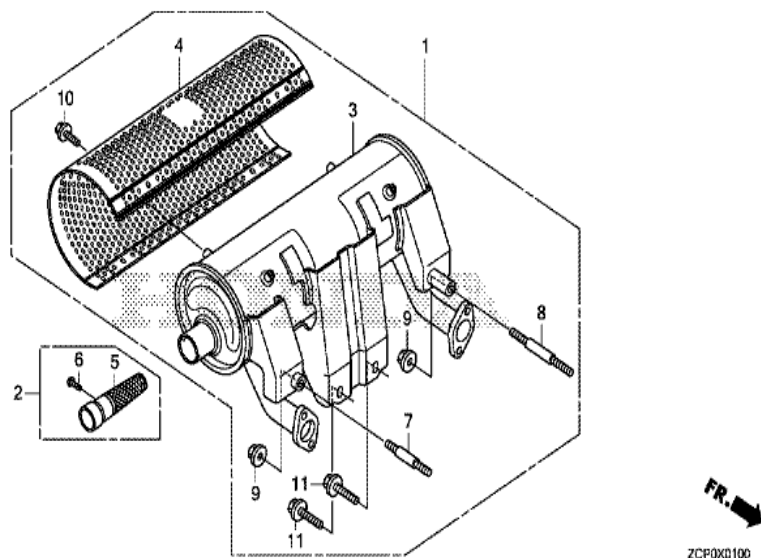
019 95701-0602200

BOLT, FLANGE, 6X22

1

GX630RH(VXP2/A)

EOP-1 MUFFLER KIT (HIGH-R)

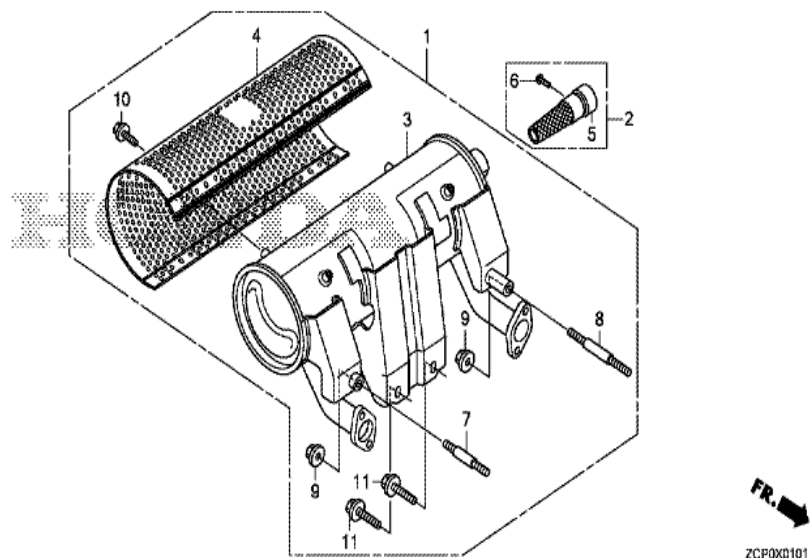


ZCP0X0100

<u>Ref</u>	<u>Partnumber</u>	<u>Description</u>	<u>GX630RH</u>	<u>Serial Numbers</u>
001	06183-ZCK-000	MUFFLER KIT (HIGH-R)	(1)	
002	06185-ZCK-000	ARRESTER KIT (HIGH)	(1)	
003	18310-ZCK-003	MUFFLER COMP. (HIGH-R)	(1)	
004	18321-ZCK-000	PROTECTOR, MUFFLER (HIGH) (FUTABA)	(1)	
005	18355-ZCK-000	ARRESTER, SPARK	(1)	
006	90007-Z6L-000	SCREW, TAPPING, 5X8	(1)	
007	92900-080450B	BOLT, STUD, 8X45	(1)	
008	92900-080600B	BOLT, STUD, 8X60	(1)	
009	94050-08000	NUT, FLANGE, 8MM	(2)	
010	95701-0600800	BOLT, FLANGE, 6X8	(6)	
011	95701-0802000	BOLT, FLANGE, 8X20	(2)	

GX630RH(VXP2/A)

EOP-1-1 MUFFLER KIT (HIGH-L)



ZCP0X0101

<u>Ref</u>	<u>Partnumber</u>	<u>Description</u>	<u>GX630RH</u>	<u>Serial Numbers</u>
001	06183-ZCK-800	MUFFLER KIT (HIGH-L)	(1)	
002	06185-ZCK-000	ARRESTER KIT (HIGH)	(1)	
003	18310-ZCK-801	MUFFLER COMP. (HIGH-L)	(1)	
004	18321-ZCK-000	PROTECTOR, MUFFLER (HIGH) (FUTABA)	(1)	
005	18355-ZCK-000	ARRESTER, SPARK	(1)	
006	90007-Z6L-000	SCREW, TAPPING, 5X8	(1)	
007	92900-080450B	BOLT, STUD, 8X45	(1)	
008	92900-080600B	BOLT, STUD, 8X60	(1)	
009	94050-08000	NUT, FLANGE, 8MM	(2)	
010	95701-0600800	BOLT, FLANGE, 6X8	(6)	
011	95701-0802000	BOLT, FLANGE, 8X20	(2)	